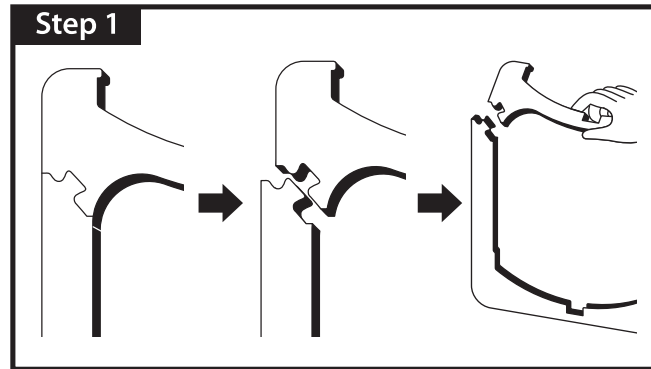
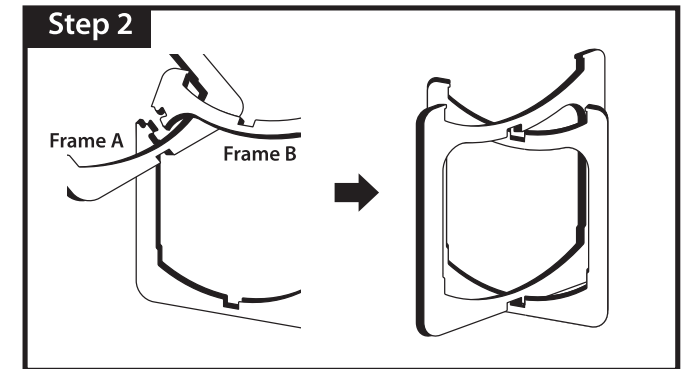


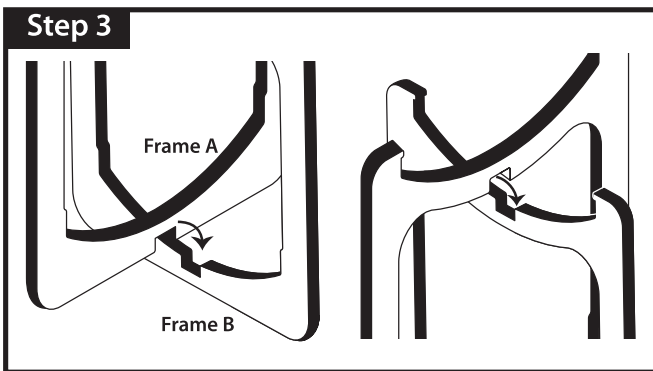
Tower/Base Support Frame A,
Tower/Base Support Frame B (with interlocking notch), 2 Scratcher Bowl Pads



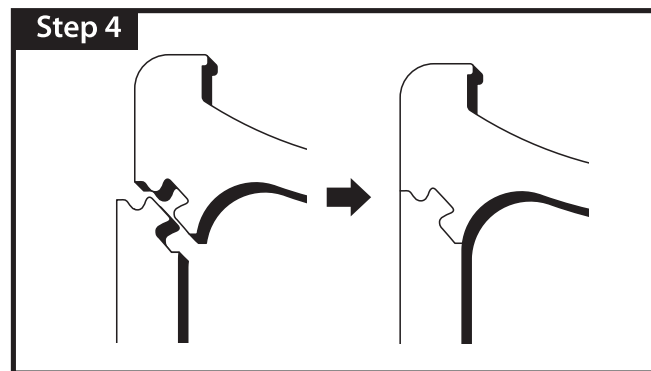
Separate the interlocking notch on Frame B by pulling top section toward you.



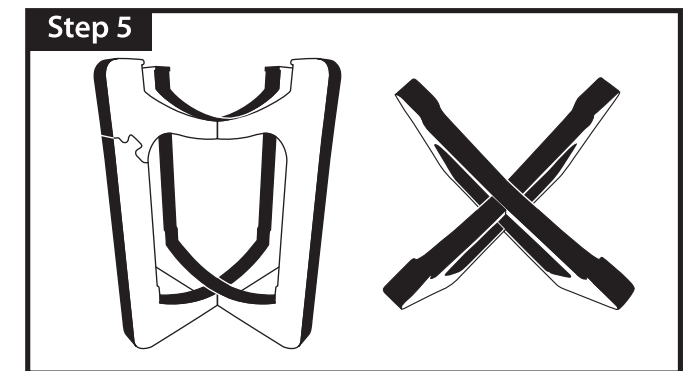
Insert bottom of Frame A through the space in Frame B where notch interlocks. Arrange frames so that they form an "X".



Align center notches of both frames. Join and press until firmly attached.

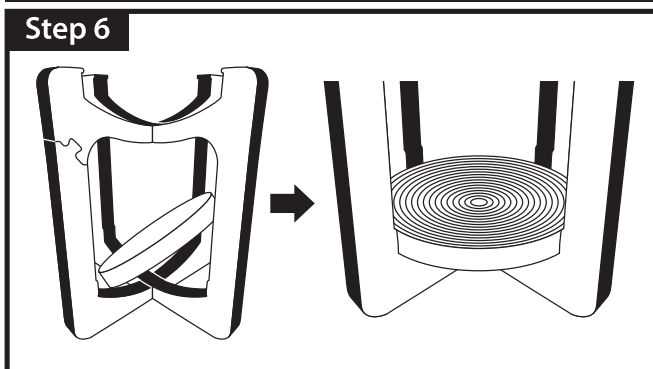


Close Frame B interlocking notch that you opened in Step 1.

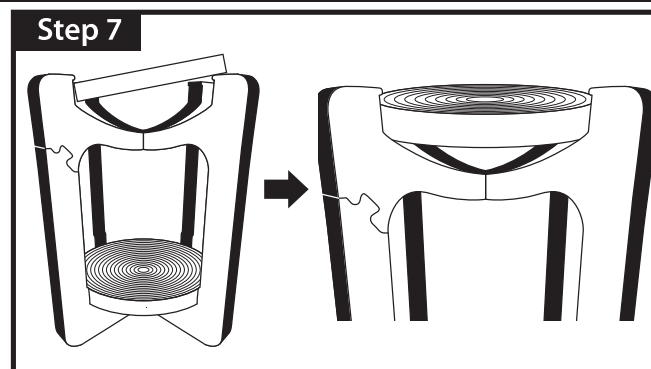


Frame assembly is complete.

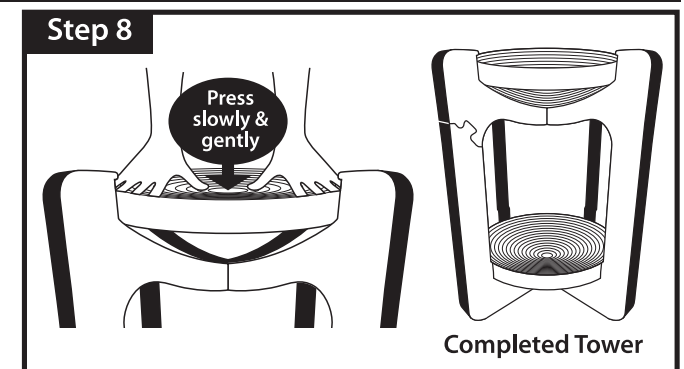
BEFORE PROCEEDING PLEASE NOTE: Do not press on scratcher pads until firmly attached to the frame. The cardboard can unravel and won't be usable.



Place scratcher pad in the lower "basket" by sliding it sideways through the frame, then lay it flat on the base.



Place scratcher pad in upper "basket" by sliding it sideways into the frame. Insert pad so that it is held in place by the inner edges of the frame.



Starting at the outer edge and working inward, gently press down the cardboard layers to create a bowl shape. Tower assembly is now complete!